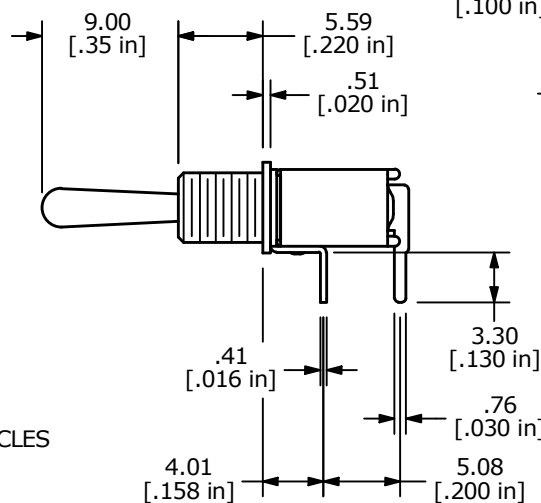
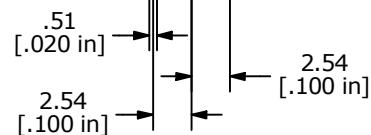
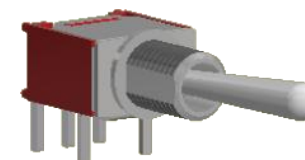
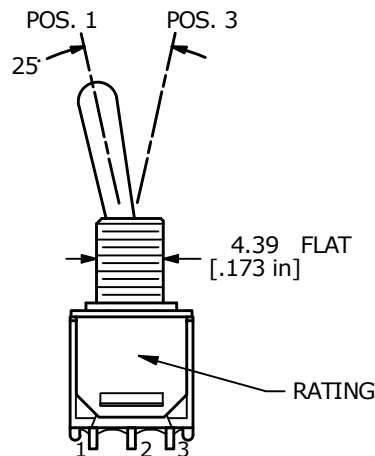
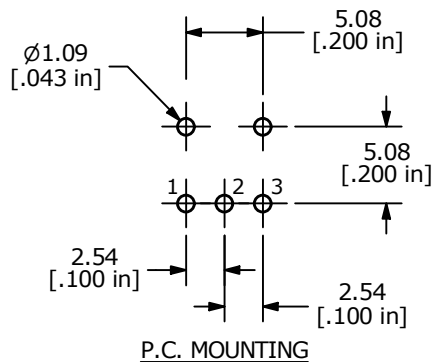
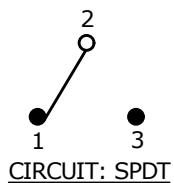
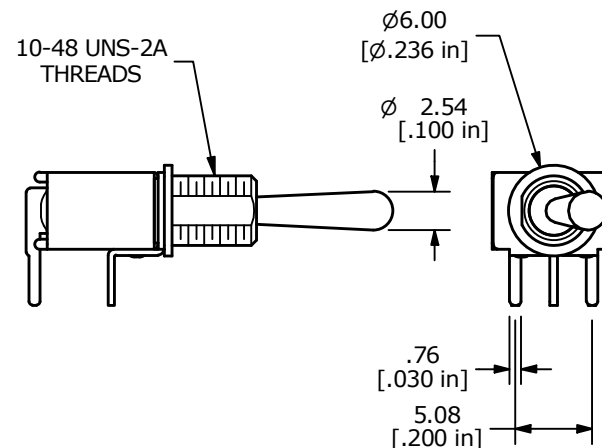


▲ SWITCH FUNCTION		
POS. 1	POS. 2	POS. 3
ON	NONE	(ON)
2-3	N/A	2-1

( ) = MOMENTARY



10-48 UNS-2A  
THREADS



NOTE:

- ALL DIMENSIONS IN MM [INCH]
- GENERAL TOLERANCE: X.X =  $\pm 0.4$   
X.XX =  $\pm 0.25$
- TERMINAL NUMBERS FOR REF ONLY
- ▲ PLATING MATERIAL: SILVER
- RATING: RATING: 3A @120VAC or 28VDC  
1A @250VAC
- ELECTRIC LIFE: 30,000 MAKE-AND-BREAK CYCLES  
AT FULL LOAD.
- INSULATION RESISTANCE: 1,000 M $\Omega$  MIN.
- DIELECTRIC STRENGTH: 1,000 V RMS @SEA LEVEL
- OPERATING TEMP.: -30°C to 85°C
- ▲ DENOTES CRITICAL PARAMETER.
- HARDWARE TO BE SUPPLIED IN BULK:  
T200000 - LOCK WASHER QTY 1  
T200002 - LOCK RING QTY 1  
T200001 - HEX NUT QTY 2



A	24670	CREATE	1/4/21	MW
REV	PCR NO	DESCRIPTION	DATE	BY

TITLE 200MSP2T1B1M6QEH				
SCALE	DATE	DR	DWG	REV
2:1	1/4/2021	MW	ST212022	A

THE INFORMATION CONTAINED IN THIS DOCUMENT IS PROPRIETARY TO E-SWITCH AND IS NOT TO BE COPIED OR TRANSFERRED